

## iShuttle iPhone-iPad USB 3.0 Flash Drive



**USB 3.0**

**Lightning**

Made for  
 iPhone iPad

16 GB

32 GB

64 GB

128 GB

### INTRODUCTION

Get more out of your Apple device with the Integral iShuttle – a compact and convenient USB 3.0 flash drive with added Lightning™ connector, so you can easily transfer and backup photos, videos and music between you iPhone, iPad, Mac and PC, without the need for iCloud or an internet connection.

### FEATURES

- Dual connectors – Lightning and USB 3.0
- Storage and transfer data and media files between iPhone, iPad and Mac/PC
- USB 3.0 data transfer
- Mac and PC compatible
- Up to 60MB/s\* Read / 8MB/s\* Write (16GB)
- Up to 60MB/s\* Read / 15MB/s\* Write (32GB)
- Up to 60MB/s\* Read / 20MB/s\* Write (64GB)
- Up to 60MB/s\* Read / 25MB/s\* Write (128GB)

\*Based on internal testing, performance may vary based on system configuration.

### PRODUCT TYPE

USB Flash Drive

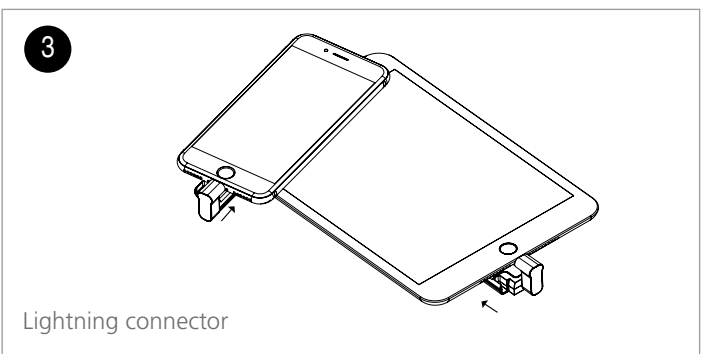
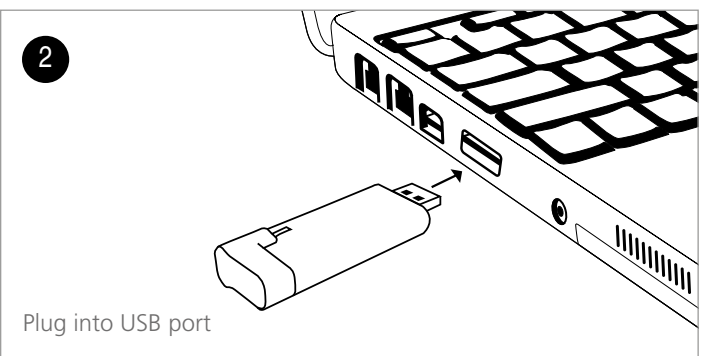
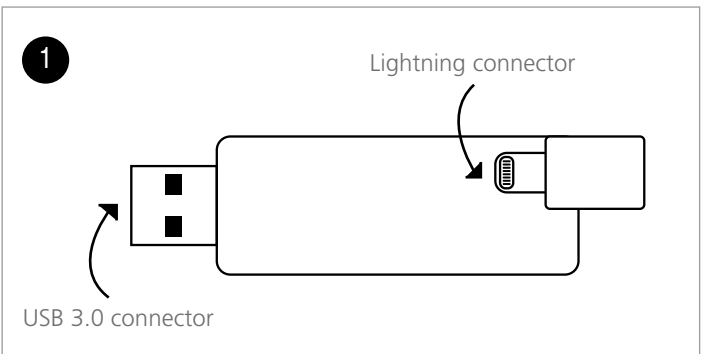
### INTERFACE TYPE

SuperSpeed USB 3.0, Apple Lightning

### INTERFACE CONNECTIVITY

1x SuperSpeed USB - 9 Pin USB Type A

1x Apple Lightning



## COMPATIBILITY

Mac OSX v10.6+

Windows Vista, 7, 8.1 and 10

Requires installation of free iShuttle App

## ENVIRONMENTAL PARAMETERS

Min Operating Temperature 0°C.

Max Operating Temperature 70°C

## COMPLIANT STANDARD

Plug and Play

	LENGTH	WIDTH	DEPTH	WEIGHT
<b>PRODUCT</b>	65mm	22mm	12mm	14g
<b>PACKED</b>	170mm	105mm	15mm	25g

CAPACITY	PART CODE	BARCODE (EAN)
16GB	INFD16GBISHUTTLE	5055288435308
32GB	INFD32GBISHUTTLE	5055288435315
64GB	INFD64GBISHUTTLE	5055288435322
128GB	INFD128GBISHUTTLE	5055288435339

Product design and specification subject to change or modification without notice. E&OE.

This device should not be used as your sole backup.

All trademarks acknowledged. 2 year warranty

For warranty information please visit [www.integralmemory.com/warranty](http://www.integralmemory.com/warranty)

iPhone to iPad	
Mac, PC to iPhone, iPad	